

# DoughMate®


The Leader in Dough Handling Products

www.doughmate.com  
1-908-276-8484  
Made In U.S.A.

DATE	1/20/2022
REVISION	A

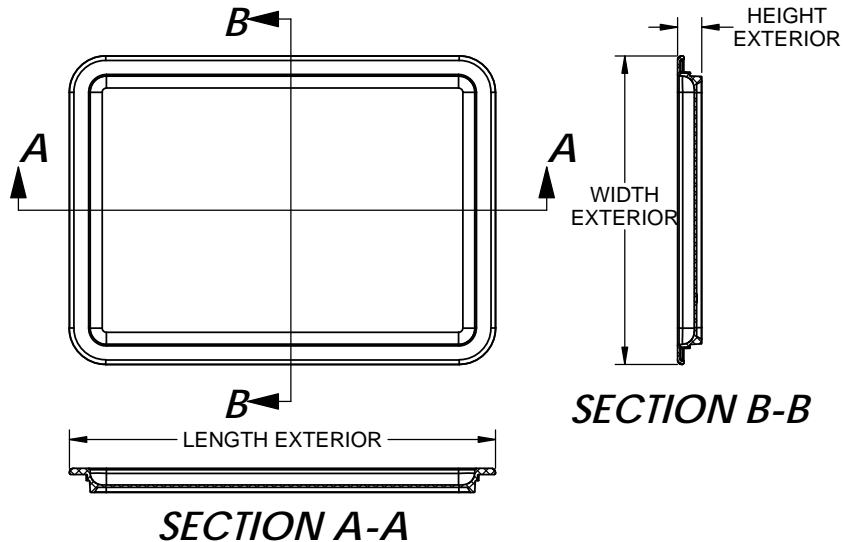
## PRODUCT SPECIFICATIONS AND PERFORMANCE DATA

PRODUCT DESCRIPTION	SMALL WHITE GROWING TRAY LID	
PART NUMBER	-	
<b>DIMENSIONS</b>		
	EXTERIOR	INTERIOR
LENGTH	17.75 in/450 mm	N/A
WIDTH	12.85 in/326 mm	N/A
HEIGHT	1.01 in/23 mm	N/A
WEIGHT	1.0 lbs/454 gms.	



## MATERIAL SPECIFICATION MATERIAL: Polypropylene Copolymer

	ENGLISH	METRIC
DENSITY	.0323 lbs/cubic in	.898 g/cubic cm
TENSIL STRENGTH-YIELD	3190 psi	22.0 MPa
TENSILE ELONGATION	-	-
FLEXURAL MODULUS	148000 psi	1020 MPa
NOTCHED IZOD IMPACT	31 ft-lbs/sq in	65KJ/sq meter
HARDNESS SHORE D	-	-
MELT FLOW RATE	1.5g/10 min	1.56/10 min
DEFLECTION TEMP	177 °F	77.0 °C



SCAN FOR  
MORE  
INFORMATION

